

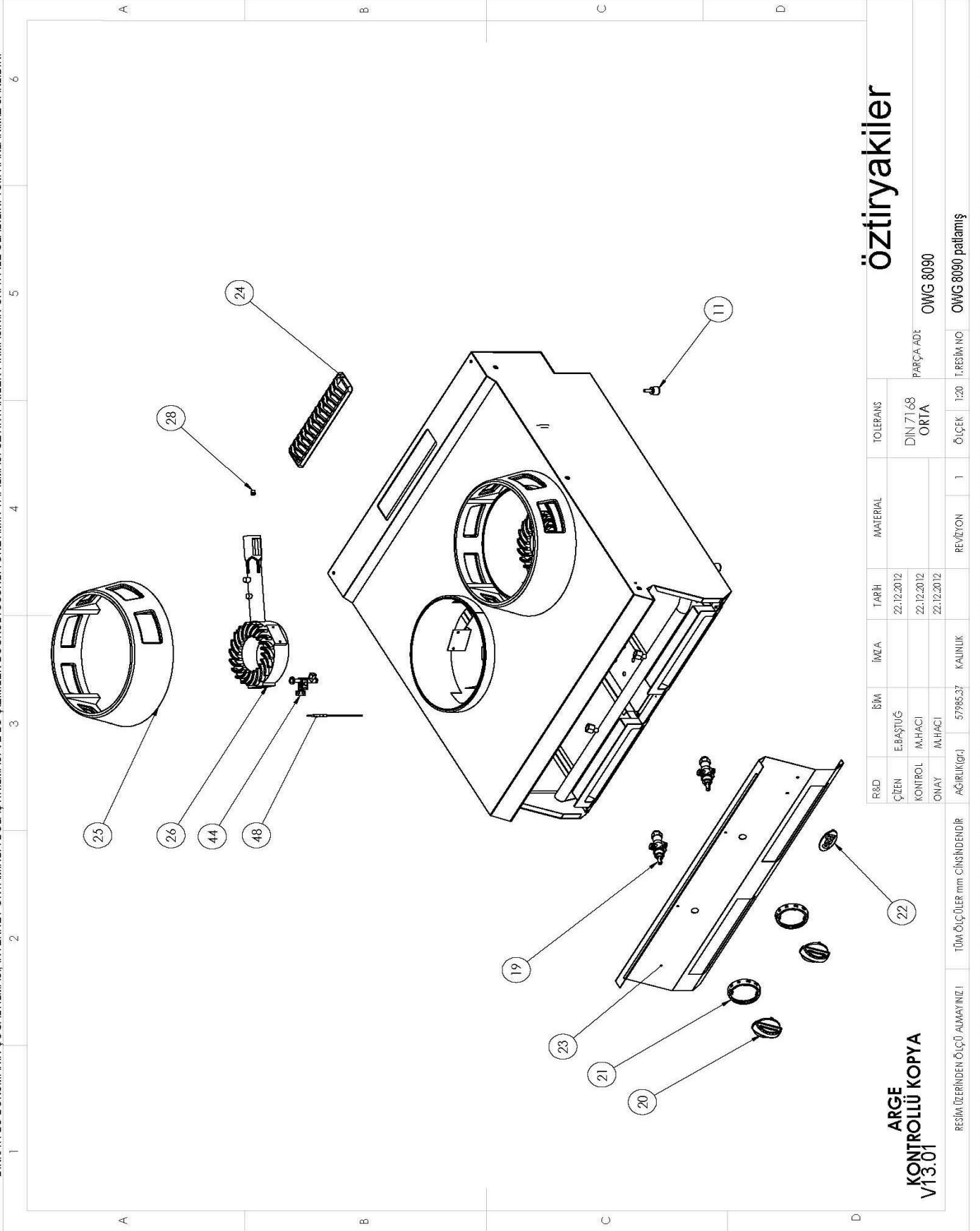


## SPARE PART LIST

Spare Part ItemCode	Item name.	PictureId
6260.00002.05	ADJUSTABLE LEG M6	11
9099.00A60.00	GAS VALVE MAX-MIN ADJUSTMENT PILOT OUTPUT WITH THERMOCOUPLE SAFE 21S	19
6260.00015.46	THERMOPLASTIC KNOB MAIN BODY WITH 8 mm INSERT	20
6260.00015.40	THERMOPLASTIC KNOB SCALE MAX.-MIN FLAME-LIGHTING	21
2179.09028.01	LABEL FOR FRONT PANEL "ÖZT RYAK LER"	22
2865.N20.08000290.W.10	80 L K GAZLI WOK OCAK ÖN PANEL SACI	23
6260.00058.96	FLUE COVER CAST IRON WITH CERAMIC ENAMEL COATED FOR ALL 700&900	24
6260.00058.71	PAN SUPPORT CAST IRON PAINTED FOR WOK COOKERS	25
9COM.ART11.32	BURNER ROUND SHAPE CAST IRON FOR WOK COOKERS	26
2KLP.460.626700006.05	MAIN BURNER NOZZLE M8x0,75 ANY GAS TYPE	28
6267.00023.08	PILOT ASSEMBLY 2 WAY FOR 700 SERIES GAS COOKER&WOK&BROILERS	44
6267.00024.00	THERMOCOUPLE 9/1 600 mm LENGTH	48



DIKKAT: BU DÖKÜMANIN COĞALTILMASI İNTERNET ORTAMINDA DOLAŞTIRILMASI VE BU ÇİZİMLER DOĞRULUSUNDA ÜRETİMİN YAPILMASI ÖZTİRYAKİLER FİRMASININ ONAYI İLE OLABİLİR. TÜM HAKLARIMIZ SAKLIDIR.



## Özti Ryakiler

RİSD	BİM	İMCA	TARİHİ	MATERİAL	TOLERANS
ŞİZEN	E.BAŞTUĞ		22.12.2012		DIN 7168
KONTROL	MAHACI		22.12.2012		ORTA
ONAY	MAHACI		22.12.2012		

ARGE  
KONTROLLÜ KOPYA  
V13.01

RESİM ÜZERİNDEN ÖLÇÜ ALMAYINIZ! TÖM ÖLÇÜLER mm ÇİNSİNDİR

REVİZYON 1 ÖLÇEK 1:20 T. RESİM NO OWG 8090

OWG 8090

OWG 8090

WARNING: IT IS APPROPRIATE TO MULTIPLY, USE, DISPLAY AT COMPUTER/INTERNET AND PRODUCE THE PRODUCT WITH ITS DRAWINGS WITH THE APPROVAL OF ÖZTİRYAKİLER COMPANY. ALL RIGHTS RESERVED.